



PROJECT: TYPE:

LOCATION: CAT:



Description

Trulux DMX Tunable CCT/RGB/RGB+WW touch wall control for Tunable CCT or RGB/RGB+WW light control; 1-3 zone operation, 10 preset levels, and 1-3 scene memory.

Features

- Independent Tunable CCT & RGB control
- 2 Tunable CCT zone selections; 2 RGB zone selections
- 10 RG auto presets
- Single programmable scene selection
- Touch sensitive interface
- Full-range dimming (1-100%)
- Carry reliable DMX 512 signals up to 400 feet
- Pair multiple receivers to a single control
- Requires Trulux DMX receiver for install (sold separately)

Mounting

Flush mount to wall or flat surface (1-3/4" x 2-5/8" cut-out)

Applications

Dimming, CCT, scene, and zone control for Tunable CCT or RGB/RGB+WW

Warranty

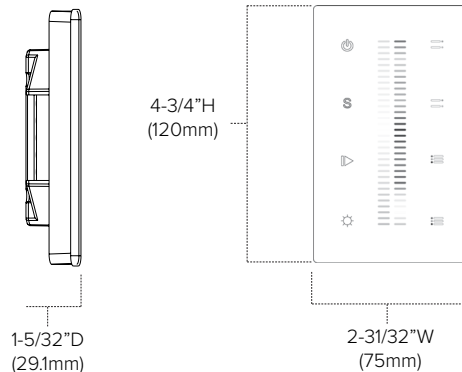
3 years

Technical Information



Voltage	12-24V DC
Output	DMX 512 Signal
Operating Temperature	0° - 40°C
Relative Humidity	8% - 80%
Rating	FCC Compliant, RoHS Compliant, dry location

Dimensions



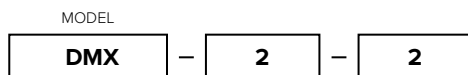
Recommended Receivers

Part Number	Description	Application	Input	Current	Output	Listing	Dimensions
REC-DMX-5A-4Z	Trulux DMX 512 Receiver	Dry location	12-36V DC	4x5A	4x(60-180)W	RoHS	7-1/16" x 1-13/16" x 6-23/32"
REC-DMX-5A-4Z-PLUS	Trulux DMX 512 Receiver with Standalone mode	Dry location	12-36V DC	4x5A	4x(96-288)W	RoHS	(178.9mm x 45.5mm x 18.6mm)

Controller can be powered from secondary side of 12-24V DC driver being used to power the Trulux receiver/Trulux tape light. See 'Trulux Control Options' on selected tape light for more information.

Ordering Information

Trulux DMX Tunable CCT/RGB+WW Touch Wall Control



DMX-2-2 includes:

- (1) Trulux DMX Tunable CCT/RGB+WW Touch Wall Control (requires Trulux DMX receiver, sold separately)

Example Part # **DMX-2-2**

