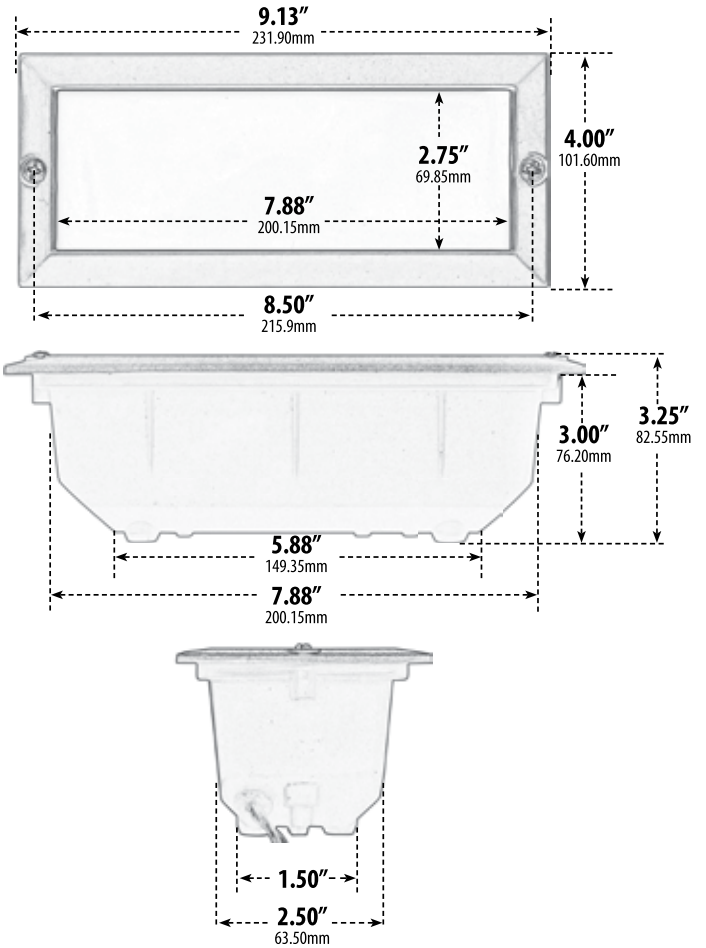


# LV602

## RECESSED OPEN FACE BRICK, STEP AND WALL LIGHT



- ▶ **Material:** Powder Coated Cast Aluminum
- ▶ **Lens:** White, Heat Resistant, Tempered Glass
- ▶ **Lamp:** JC Bi-Pin Base (2 x 20W Maximum)

MODEL NUMBER	LAMP TYPE	ILLUMINANT TYPE	WATTS (W)	VOLTS (V)	LAMP(S) INCLUDED?
LV602	JC	HALOGEN	2 x 20	12	YES
LV-LED602	JC-LED	36 LEDs	2 x 3.2	12	YES

- ▶ **Available Color:** Black, White, Bronze, Verde Green, Electroplated Stainless Steel
- ▶ **Connector Available:** P-CN01 (sold separately)
- ▶ **Replacement Cover Plate:** P-CVR-LV602 (sold separately)
- ▶ **ETL Approved**

Overall Dimensions:  
4.00"H x 9.13"W x 3.25"D

Weight: 1.00 lbs  
Approximate Wire Length: 70"  
Box Dimensions: 3.63"H x 9.50"W x 4.25"D  
Lamp Included

**DABMAR**  
LIGHTING

DABMAR LIGHTING INCORPORATED

2140 Eastman Ave . Oxnard, CA 93030 . 805.604.9090 . f: 805.604.9050 . www.dabmar.com