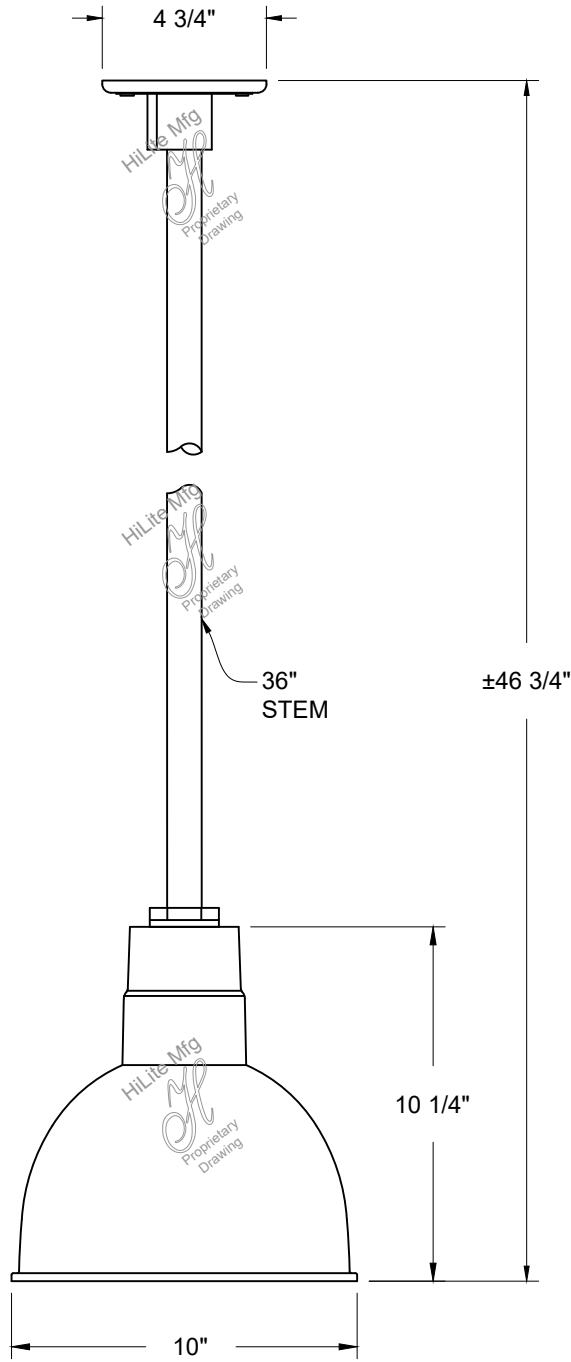




HI-LITE MFG. CO., INC.

13450 Monte Vista Avenue
 Chino, California 91710
 Telephone: (909) 465-1999
 Toll Free: (800) 465-0211
 Fax: (909) 465-0907
 www.hilitemfg.com

| | | |
|-----------|-------|-------|
| JOB NAME: | | |
| SCALE: | DATE: | TYPE: |
| N.T.S. | | |
| DRAWN BY: | QTY: | |
| S.M. | | |
| SHEET: | REV: | |



DAMP LOCATION

| | | |
|----------------------------------|---------|---------|
| Item Number | Wattage | Voltage |
| H-QSN16110-SA/QSN36"ST3/QSNHDSMC | 200W | 120V |

Finish
 91-Black, 93-White, 96-Galvanized,
 145-Oil Rubbed Bronze

Mounting
 Stem Mount

Lamp/Socket
 1-Medium Base INC

***Confidential and Proprietary. The information contained on this page is the sole property of Hi-Lite Mfg. Co., Inc. Any reproduction, redistribution, or use to profit from in part or as a whole without prior written authorization of Hi-Lite Mfg. Co., Inc. is unlawful, against trade laws and will be prosecuted to the fullest extent.